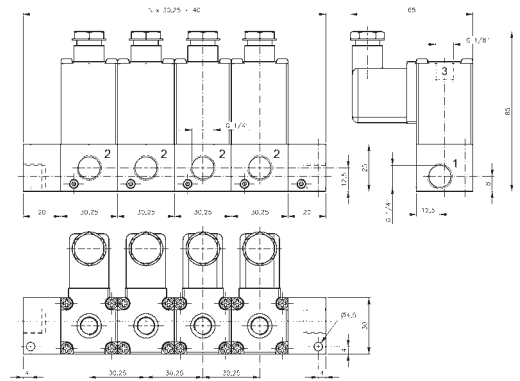
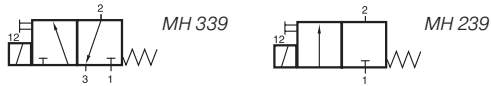


4.

Direct actuated 3/2-way valves



MH 339/MH 239/R 33 R/R 33 L



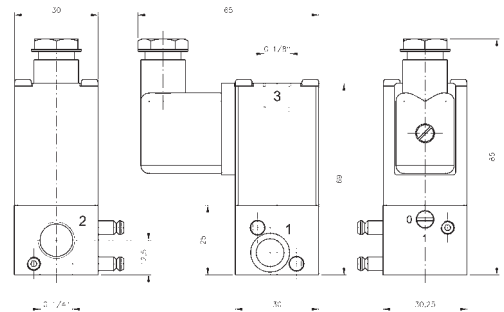
Modular system MH 339/MH 239

Modular system consisting of direct acting 3/2-way or 2/2-way solenoid valves normally closed, actuated by permanent signal and endplates for common pressure supply (1). Port 2 is in the valve, G 1/4", exhaust through the operator tube, thread G 1/8".

By opening 2 hexagonsocket screws at the bodies the system can be taken apart at any point and valves can be added or taken away.

Valves:

Type MH 339: 3/2-way – drawings show 3/2-way valves
Type MH 229: 2/2-way – 2/2-way without port 3
Orifice size: 3 mm, max. pressure: 7 bar.



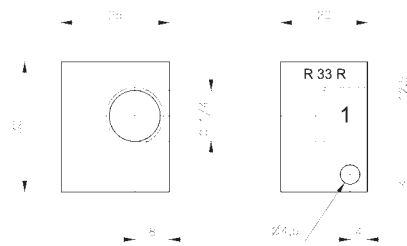
Individual valve MH 339/MH 239

Available with solenoid operators:
230V/50Hz, 24V/50Hz, 24V=
Connector Industry B (22 mm).

Valves are generally equipped with manual override.

The system consists of:

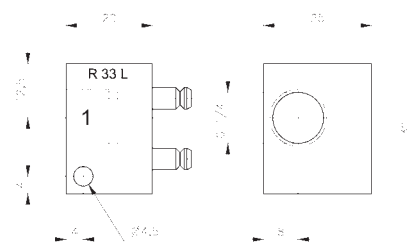
End-plate right type R 33 R
End-plate left type R 33 L
Individual valve 3/2-way type MH 339
Individual valve 2/2-way type MH 229



End-plate right R 33 R

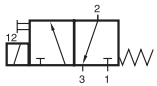
The end-plates can be equipped with DIN-rail mounting clips.

Products are to be ordered individually but system can be delivered fully assembled.

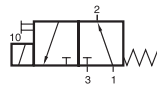


End-plate left R 33 L

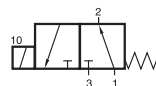
Type	Ways Function	Port size			Air flow	Operating Power		Weight
		1	2	3		pressure	consumption	
MH 339	3/2 n.c.		G 1/4"	G 1/8"	200 l/min	0 - 7 bar	7,5 W = /8,5 VA	~ 0,18 kg
MH 239	2/2 n.c.		G 1/4"		200 l/min	0 - 7 bar	7,5 W = /8,5 VA	~ 0,18 kg
R 33 R	end-plate right		G 1/4"					0,04 kg
R 33 L	end-plate left		G 1/4"					0,04 kg



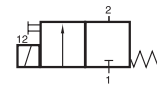
MH 311 012
MH 311 015



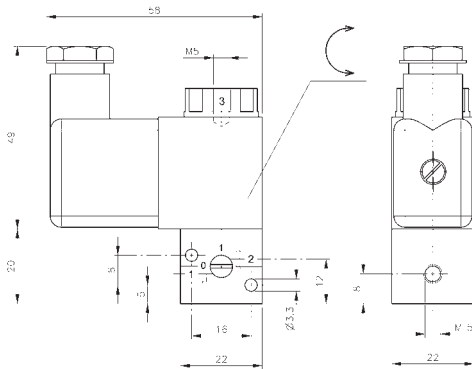
MOH 311 012
MOH 311 015



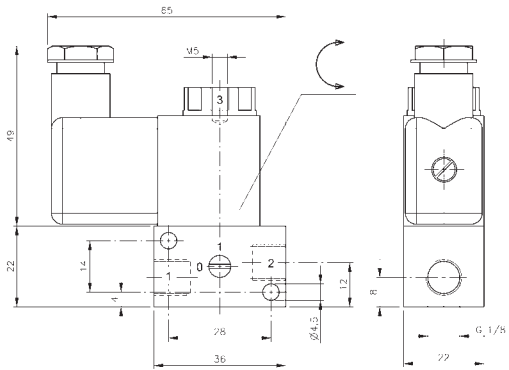
MX 311 012
MX 311 015



MH 211 012
MH 211 015



**MH 311 012/MOH 311 012/MX 311 012/
MH 211 012**



**MH 311 015/MOH 311 015/ MX 311 015
MH 211 015**



Direct acting 3/2-way and 2/2-way solenoid valve equipped with mechanical spring return.

Type MH 311 ___

Normally closed, port 1 and 2 in the valve, port 3 at the top of the solenoid with manual override.

Type MOH 311 ___

Normally open, port 2 and 3 in the valve, port 1 at the top of the solenoid with manual override.

Type MX 311 ___

Normally open, port 1 and 2 in the valve, port 3 at the top of the solenoid, no manual override.

Type MH 211 ___

2/2-way valve n.c. with manual override.

By closing port 3 3/2-way valves can be converted into 2/2-way version, not possible for MX.

Please notice: Drawings are for MH 311 ___-valves.

For MOH-valves ports 1 and 3 are swapped, for MH 211 port 3 is not existing. Operator system of MX-valve is 8 mm longer. MOH 311 and MH 211-valves are equipped with a flat plastic nut.

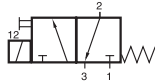
Available with solenoid operators:

230V/50Hz, 110V/50Hz, 24V/50Hz, 48V=, 24V=, 12V=.

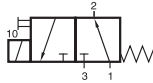
Valves can be used for technical vacuum too.

Type	Ways	Function	Port size			Air flow	Operating pressure	Power-consumption	Weight	
			1	2	3					
MH 311 012	3/2	n.c.	M5	M5	M5	40 l/min	-0,9 - 10 bar	3 W = / 5 VA ~	0,12 kg	
MH 311 015	3/2	n.c.	G 1/8"	G 1/8"	M5	50 l/min	-0,9 - 10 bar	3 W = / 5 VA ~	0,14 kg	
MOH 311 012	3/2	n.o.	M5	M5	M5	40 l/min	-0,9 - 10 bar	3 W = / 5 VA ~	0,12 kg	
MOH 311 015	3/2	n.o.	M5	G 1/8"	G 1/8"	50 l/min	-0,9 - 10 bar	3 W = / 5 VA ~	0,14 kg	
MX 311 012	3/2	n.o.	M5	M5	hole	40 l/min	-0,9 - 10 bar	3 W = / 5 VA ~	0,13 kg	
MX 311 015	3/2	n.o.	G 1/8"	G 1/8"	hole	50 l/min	-0,9 - 10 bar	3 W = / 5 VA ~	0,15 kg	
MH 211 012	2/2	n.c.	M5	M5		40 l/min	-0,9 - 10 bar	3 W = / 5 VA ~	0,12 kg	
MH 211 015	2/2	n.c.	G 1/8"	G 1/8"		50 l/min	-0,9 - 10 bar	3 W = / 5 VA ~	0,14 kg	

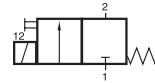
MH 311 305/MH 311 309/MOH 311 305 MOH 311 309/MH 211 305/MH 211 309



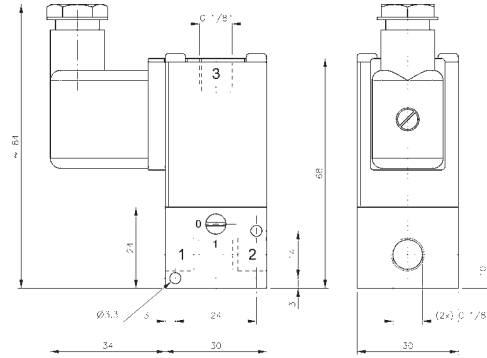
MH 311 305
MH 311 309



MOH 311 305
MOH 311 309



MH 211 305
MH 211 309



MH 311 305/MOH 311 305/MH 211 305

Direct acting 3/2-way and 2/2-way solenoid valve equipped with mechanical spring return.
Orifice size: 3 mm, max. pressure: 7 bar.

Type MH 311 ___

Normally closed, port 1 and 2 in the valve, port 3 at the top of the solenoid

Type MOH 311 ___

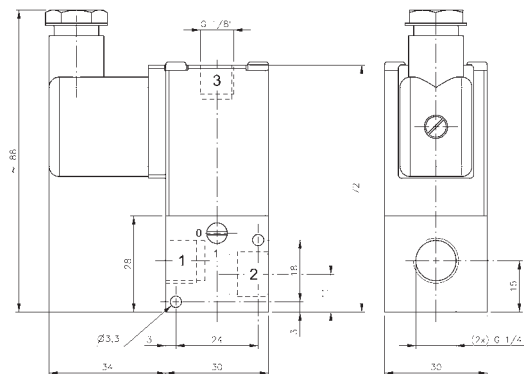
Normally open, port 2 and 3 in the valve, port 1 at the top of the solenoid

Type MH 211 ___

2/2-way valve n.c.

Please notice:

Drawings are for MH 311 ___-valves. For MOH-valves ports 1 and 3 are swapped, for MH 211 port 3 is not existing.



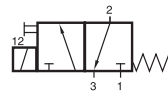
MH 311 309/MOH 311 309/MH 211 309

Available with solenoid operators:
230V/50Hz, 24V/50Hz, 24V=
Connector Industry B (22 mm).

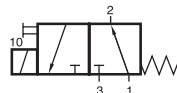
Valves are generally equipped with manual override.

Connector Industry B (22 mm).

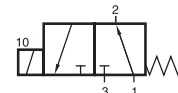
Type	Ways	Function	Port size			Air flow	Operating pressure	Power consumption	Weight
			1	2	3				
MH 311 305	3/2	n.c.	G 1/8"	G 1/8"	G 1/8"	200 l/min	0 - 7 bar	7,5 W = /8,5 VA	~ 0,17 kg
MH 311 309	3/2	n.c.	G 1/4"	G 1/4"	G 1/8"	200 l/min	0 - 7 bar	7,5 W = /8,5 VA	~ 0,18 kg
MOH 311 305	3/2	n.o.	G 1/8"	G 1/8"	G 1/8"	200 l/min	0 - 7 bar	7,5 W = /8,5 VA	~ 0,17 kg
MOH 311 309	3/2	n.o.	G 1/4"	G 1/4"	G 1/8"	200 l/min	0 - 7 bar	7,5 W = /8,5 VA	~ 0,18 kg
MH 211 305	2/2	n.c.	G 1/8"	G 1/8"		200 l/min	0 - 7 bar	7,5 W = /8,5 VA	~ 0,17 kg
MH 211 309	2/2	n.c.	G 1/4"	G 1/4"		200 l/min	0 - 7 bar	7,5 W = /8,5 VA	~ 0,18 kg



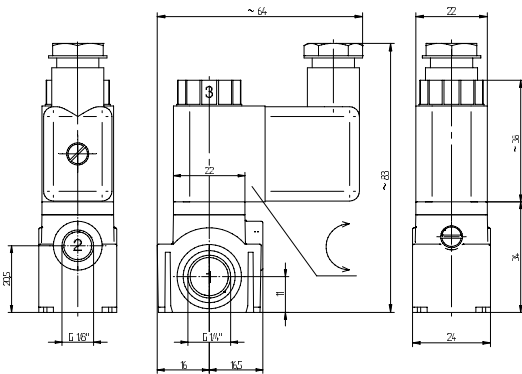
MH 311 105



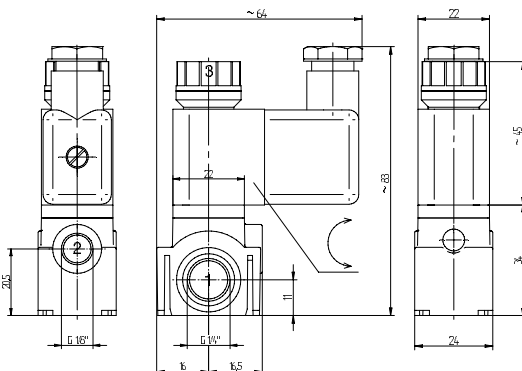
MOH 311 105



MX 311 105



MH 311 105/MOH 311 105



MX 311 105



Direct acting 3/2-way solenoid valve, equipped with mechanical spring return, body made from polyamide.

Type MH 311 105

Normally closed, port 1 in the body, including manual override

Type MOH 311 105

Normally open, port 1 at the top of the solenoid, including manual override

Type MX 311 105

Normally open, port 1 in the body, no manual override

Individual valves can easily be combined to manifold systems just by putting 2 brass brackets (type VBM 105) into the bodies from the bottom. MH and MX valves can be combined in the same manifold system

By closing port 3 valves can be turned into 2/2-way valves.

Available with solenoid operators:
230V/50Hz, 110V/50Hz, 24V/50Hz, 48V=, 24V=, 12V=.

Valves can be used for technical vacuum too.

Available and useful accessories:

KV SET 01

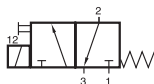
Set to connect two valves consisting of two brass clamping brackets and an NBR O-ring.

3015 – 1/4

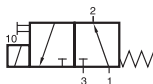
Plug to close one side of the two supply ports in the valve, brass, nickel plated G1/4" with O-ring seal.

Type	Function	Port size			Air flow	Operating pressure	Power consumption	Weight
		1	2	3				
MH 311 105	n.c.	G 1/4"	G 1/8"	M5	60 l/min	-0,9 - 10 bar	3 W= / 5 VA	0,09 kg
MOH 311 105	n.o.	M5	G 1/8"	G 1/4"	60 l/min	-0,9 - 10 bar	3 W= / 5 VA	0,09 kg
MX 311 105	n.o.	G 1/4"	G 1/8"	hole	60 l/min	-0,9 - 10 bar	3 W= / 5 VA	0,09 kg

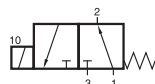
MH 311 014/MOH 311 014 MH 311 019/MX 311 019



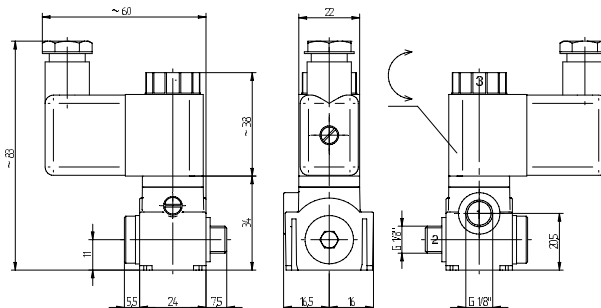
MH 311 014
MH 311 019



MOH 311 014



MX 311 019



MH 311 014/MOH 311 014

Direct acting 3/2-way solenoid valve equipped with spring return.
Orifice size 1.3 mm, max. pressure 7 bar.

Type MH 311 014:

Normally closed, port 1 in the valve, port 2 as banjo screw, exhaust through operator system with manual override.

Type MH 311 019 __:

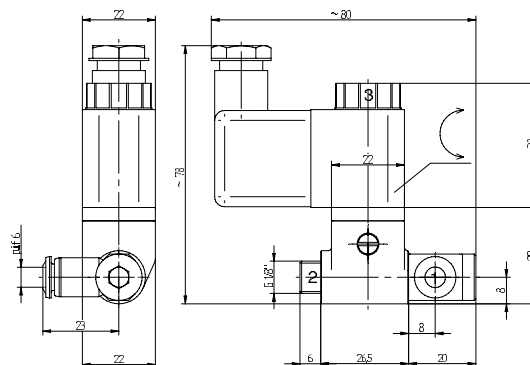
Normally closed, port 1 swivel either 1/8" or 6 mm pif, port 2 as banjo screw, exhaust through operator system with manual override.

Type MOH 311 014:

Normally open, port 1 at the top of the operator system, port 2 as banjo screw, exhaust at the body, manual override included, delivery with flat nut. Drawing displays MH-valve, for MOH ports 1 and 3 swapped.

Type MX 311 019 __:

Normally open, port 1 swivel either 1/8" or 6 mm pif, port 2 as banjo screw, exhaust through operator system no manual override. Operator system is 8 mm longer than in drawing.



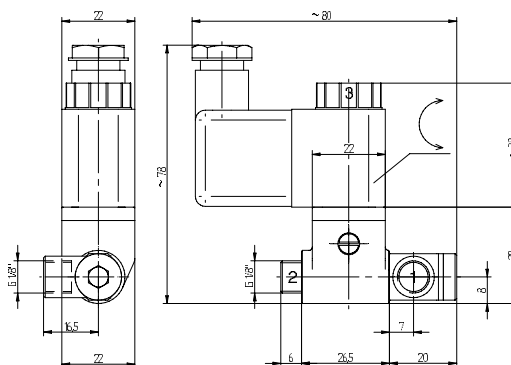
MH 311 019 6/MX 311 019 6

Available with solenoid operators:
230V/50Hz, 110V/50Hz, 24V/50Hz, 48V=, 24V=, 12V=.

Available and useful accessories:

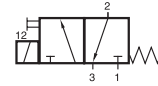
KV SET 02

1/8" to 1/4" reducer for port 2.

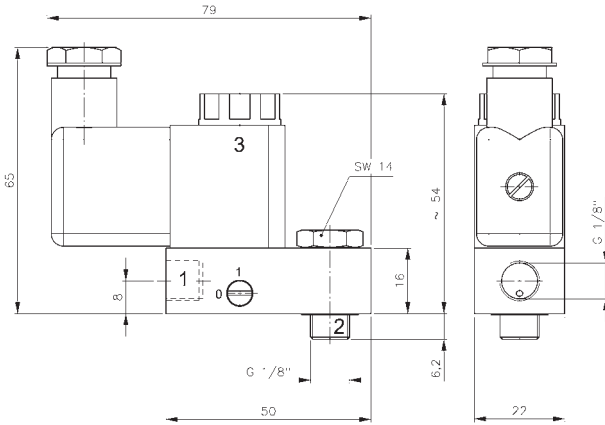


MH 311 019 1/8 / MX 311 019 1/8

Type	Funct.	Port 1	Port 2 banjo	Port 3	Air flow	Operating pressure	Power cons.	Weight
MH 311 014	n.c.	G 1/8"	G 1/8"	M5	60 l/min	-0,9 - 10 bar	3 W= / 5 VA	0,13 kg
MOH 311 014	n.o.	M5	G 1/8"	G 1/8"	60 l/min	-0,9 - 10 bar	3 W= / 5 VA	0,13 kg
MH 311 019 6	n.c.	Swivel 6 mm pif	G 1/8"	M5	50 l/min	-0,9 - 10 bar	3 W= / 5 VA	0,16 kg
MX 311 019 6	n.o.	Swivel 6 mm pif	G 1/8"	M5	50 l/min	-0,9 - 8 bar	3 W= / 5 VA	0,16 kg
MH 311 019 1/8	n.c.	Swivel G 1/8"	G 1/8"	hole	50 l/min	-0,9 - 8 bar	3 W= / 5 VA	0,16 kg
MX 311 019 1/8	n.o.	Swivel G 1/8"	G 1/8"	hole	50 l/min	-0,9 - 8 bar	3 W= / 5 VA	0,16 kg



MH 311 013
MH 311 017



MH 311 013



Direct acting 3/2-way solenoid valve equipped with mechanical spring return, normally closed.

Port 2 is a banjo that can be screwed directly into the actuator that is to be controlled.

Products with port 1 in NPT on request.

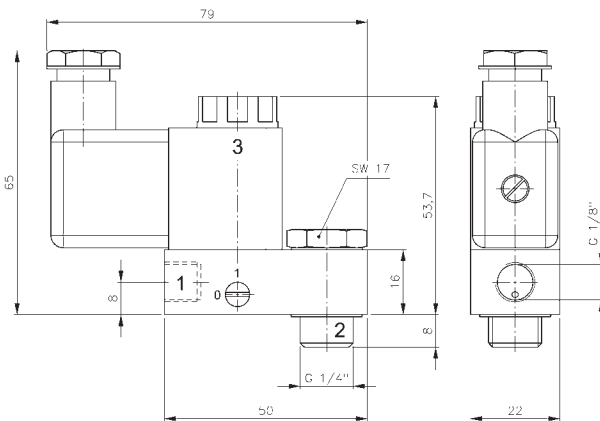
Products normally open on request.

2/2-way version on request.

Available with solenoid operators:

230V/50Hz, 110V/50Hz, 24V/50Hz, 48V=, 24V=, 12V=.

Valves are generally equipped with manual override.



MH 311 017

MH 311 013 and MH 311 017 are designed for piloting angle seat valves or small spring-return actuators.

When assembling this type of valve to a spring-return actuator, please take into consideration that there is no exhaust air recirculation ("purge").

Instead of the standard banjo-screw, the valve can also be equipped with a flow-regulating banjo-screw.

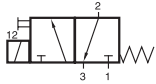
Three different versions are available on request: Banjo-screw to regulate the opening speed, the closing speed as well as the opening and closing speed (not independent).



Type	Function	Port			Air flow	Operating pressure	Power consumption	Weight
		1	2 banjo	3				
MH 311 013	n.c.	G 1/8"	G 1/8"	M5	50 l/min	0 - 10 bar	3 W = / 5 VA ~	0,14 kg
MH 311 017	n.c.	G 1/8"	G 1/4"	M5	50 l/min	0 - 10 bar	3 W = / 5 VA ~	0,16 kg



MH 311 313/MH 311 317



MH 311 313
MH 311 317



Direct acting 3/2-way solenoid valve equipped with mechanical spring return, normally closed. Orifice size: 3 mm, max. pressure: 7 bar.

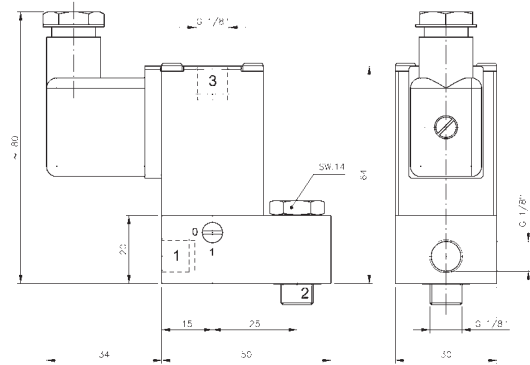
Port 2 is a banjo that can be screwed directly into the actuator that is to be controlled.

Products with port 1 in NPT on request.
Products normally open on request.
2/2-way version on request.

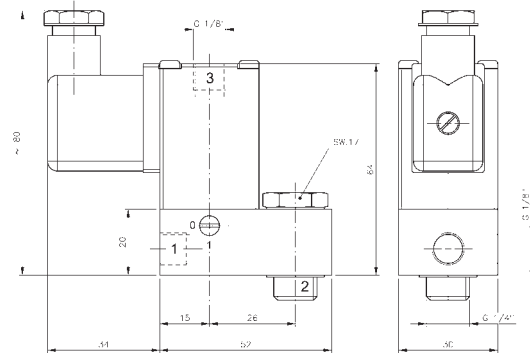
Available with solenoid operators:
230V/50Hz, 24V/50Hz, 24V=
Connector Industry B (22 mm).

Valves are generally equipped with manual override.

Connector Industry B (22 mm)



MH 311 313



MH 311 317

MH 311 313 and MH 311 317 are designed for pilot-
ing angle seat valves or small spring-return actu-
ators.

When assembling this type of valve to a spring-
return actuator, please take into consideration that
there is no exhaust air recirculation ("purge").

Instead of the standard banjo-screw, the valve can
also be equipped with a flow-regulating banjo-
screw.

Three different versions are available on request:
Banjo-screw to regulate the opening speed, the
closing speed as well as the opening and closing
speed (not independent).



Type	Function	Port			Air flow	Operating pressure	Power consumption	Weight
		1	2 banjo	3				
MH 311 313	n.c.	G 1/8"	G 1/8"	G 1/8"	150 l/min	0 - 7 bar	7,5 W = /8,5 VA ~	0,21 kg
MH 311 317	n.c.	G 1/8"	G 1/4"	G 1/8"	150 l/min	0 - 7 bar	7,5 W = /8,5 VA ~	0,22 kg